

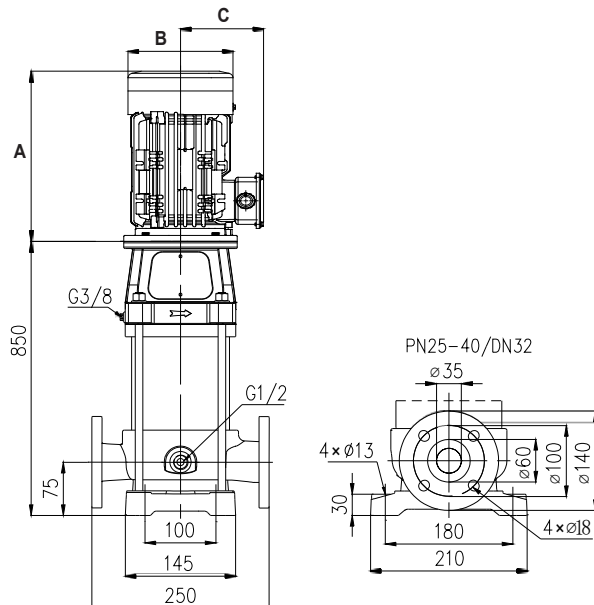
TECHNICAL DATA

RATED FLOW [M3/H]	5 m3/h
MAX FLOW	8.5m3/h
MAX HEAD	195M
OPTIMUM OPERATING RANGE @ 50HZ	3m3/hr @ 187.4m 48.8% eff 6.2m3/hr @ 159.6m 66.5% eff
WORKING AIR TEMP	0°C - 40°C
LIQUID TEMPERATURE	-15°C - 120°C
HIGHEST EFFICIENCY	66.6%
MAXIMUM PUMP PRESSURE	32 bar
NET WEIGHT (KG)	55 kg

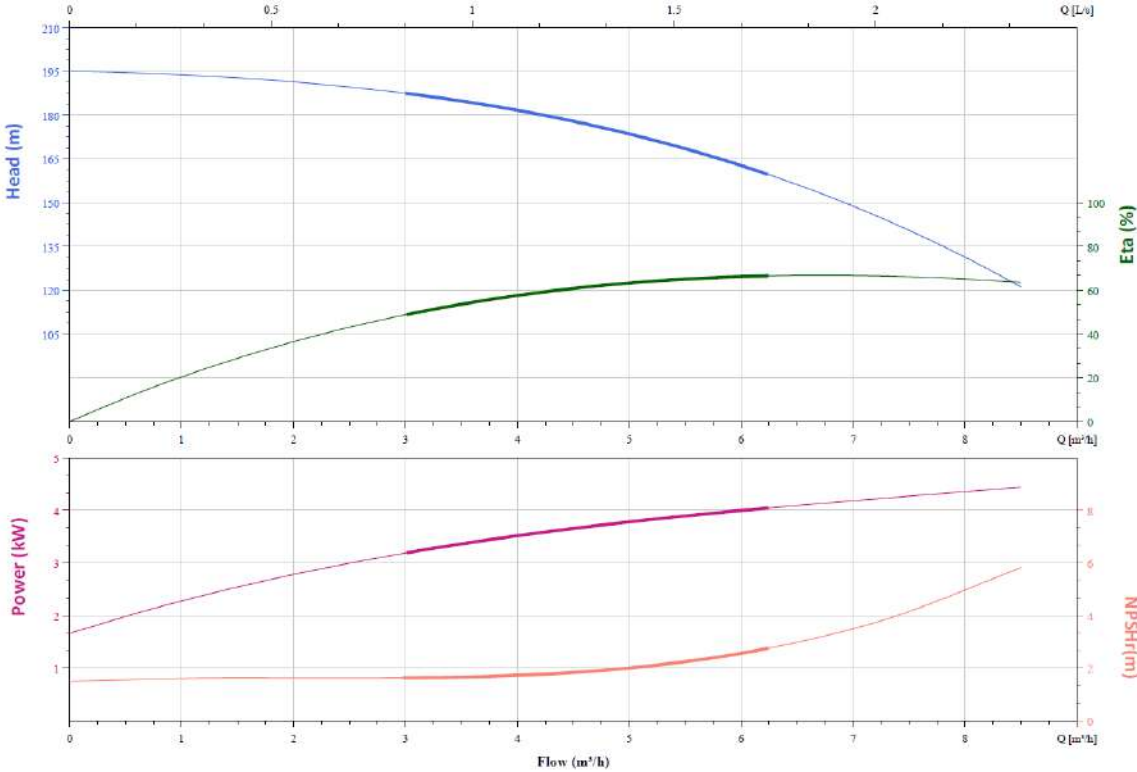
RATED VOLTAGE/CURRENT	3~ 230V +10% - 6% 13.65 A 3~ 415V +10% - 6% 7.56 A
POWER (KW)	4kW 2 pole
MOTOR IP RATING	IP55
MOTOR INSULATION	Class F
MOTOR EFFICIENCY STD	I.E.3
MOTOR EFFICIENCY	88.1%
COS Ø	0.88
MECHANICAL SEAL	AS-L-12
OUTLET DIN FLANGE	DN32

DIMENSIONS

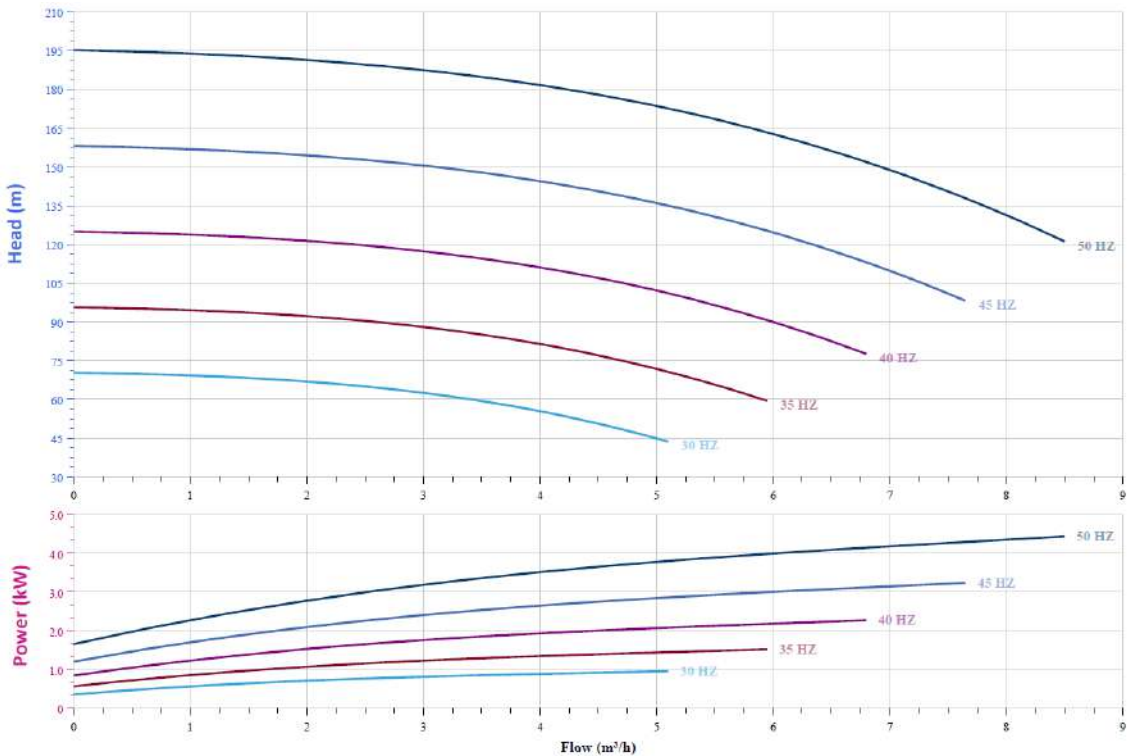
HEIGHT A	354
DIAMETER B	220
RADIUS C	172



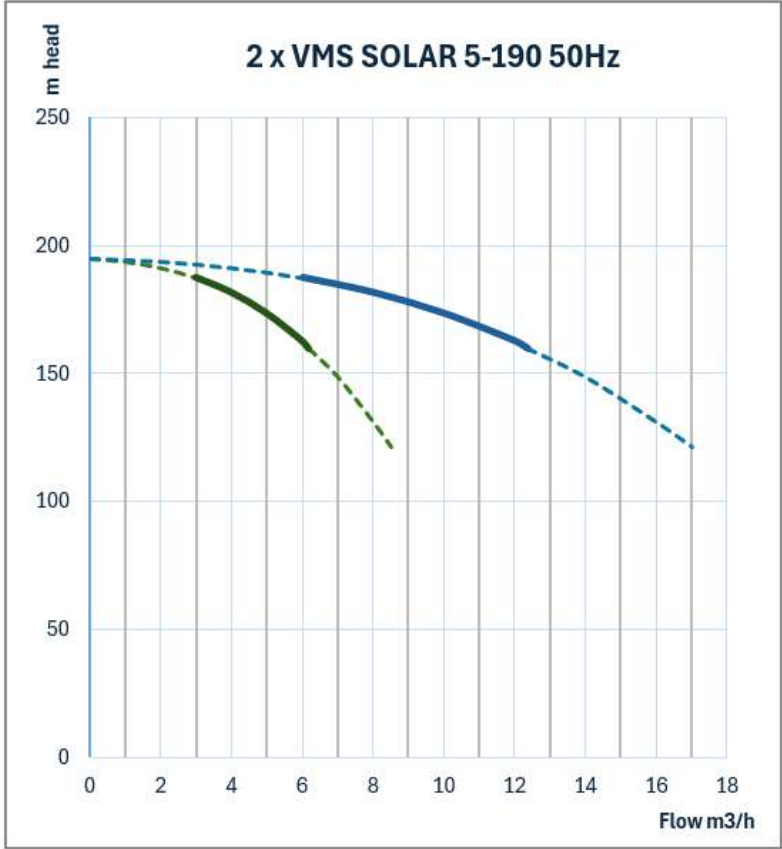
CURVE



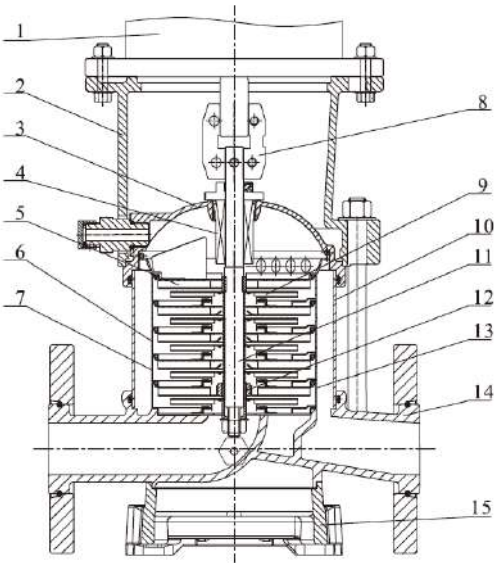
VFD CURVE



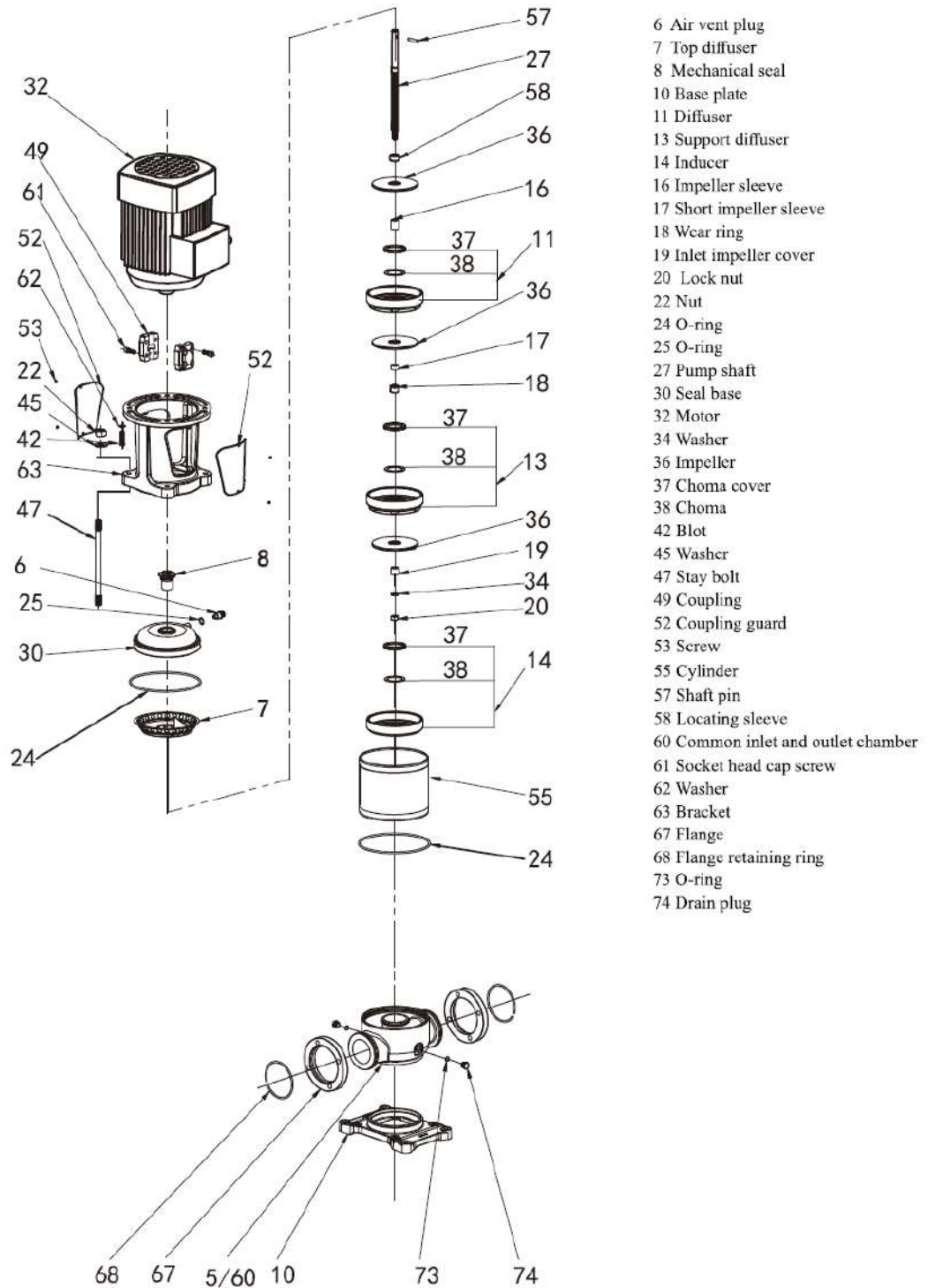
TWIN PUMP CURVE



CUTAWAY AND MATERIALS



1	Motor	/
2	Bracket	Ductile Cast Iron
3	Seal Base	Stainless / Ductile Cast Iron
4	Mechanical Seal	AS-L-16
5	Top Diffuser	Stainless Steel
6	Diffuser	Stainless Steel
7	Support Diffuser	Stainless Steel
8	Coupling	Stainless Steel
9	Impeller	Stainless Steel
10	Cylinder	Stainless Steel
11	Shaft	Stainless Steel
12	Intermediate Bearing	SIC / WC
13	Inducer	Stainless Steel
14	Inlet/Outlet Chamber	Stainless Steel / Ductile Cast Iron
15	Base	Ductile Cast Iron



WARRANTY / CERTIFICATIONS

